



# J SERIES



[sdjlighting.com](http://sdjlighting.com)

# JBEAM 230

Order code: SG JBEAM230  
KIT order code: SG JBEAM230KIT

## Light source

- Osram Sirius HRI 231W
- Lamp lifespan: 2000 h
- Electronic ballast

## Optic system

- Beam Angle: 2,5°
- Electronic focus
- Illuminance: 66.000 lux @ 15 mt

## Color system

- Color wheel with 11 dichroic filters + white

## Effects

- Linear dimmer 0 - 100 %
- Electronic strobo, pulse, random
- Fixed gobo wheel with 16 gobos and 3 steps "beam reducer"
- Gobo shaking effect
- Gobo scroll effect with adjustable speed
- 16 + 24 facet circular rotating prism with adjustable speed
- Color rainbow effect
- Selectable half color function
- Frost filter

## Control and programming

- 3 DMX configurations available: 13/15/17 channels
- Protocol USITT DMX 512
- Master / Slave mode
- Sound mode with adjustable microphone sensitivity
- Auto mode with 9 internal programs selectable from display
- Reset function via DMX

## Structure and cabinet

- Black metal housing and high resistance plastic material
- Graphic LCD color display
- Pan angle: 360°/540°/630°
- Tilt angle: 90°/180°/270°
- Mounting points: 2 pairs of 1 / 4 turn locks
- Automatic repositioning of Pan&Tilt after accidental movements
- XLR 3-poles DMX IN/OUT connectors
- USB port for optional wireless DMX receiver (order code: SG WECONUSB)
- IP Rating: IP 20
- Forced air cooling system with electronic control

## Power supply

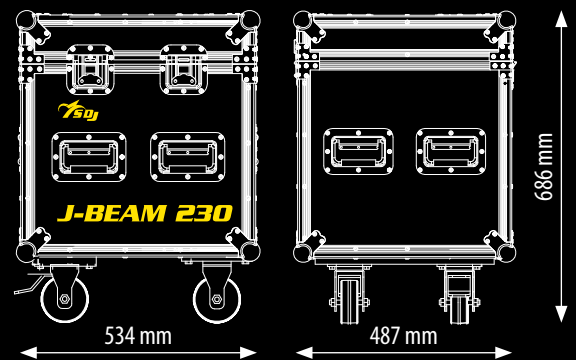
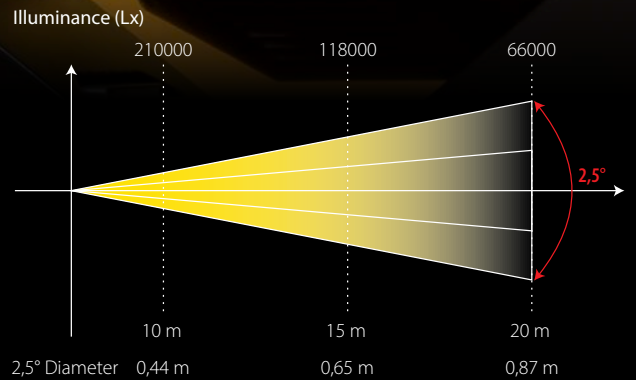
- Input Voltage: AC~100 - 240 V, 50/60 Hz
- Switching power supply unit
- Max power: 360W @ 230VAC
- Power IN/OUT Powercon connectors
- Power supply cable 1 mt included

## Weight and dimensions

- Net weight: 12,5 kg
- Dimensions: 338 x 469 x 224 mm



## ILLUMINANCE DIAGRAM



# JWASH 400

Order code: SG JWASH400  
KIT order code: SG JWASH400KIT

## Light source

- 28 x 15 W led RGBW Full Color
- SMD RGB LEDs on the front ring
- LED lifespan: > 50.000 h
- LED refresh frequency: > 400 Hz flicker-free

## Optic system

- Beam Angle: 17° / 32°
- Illuminance: 9224 lux @ 5 m (full ON - 17°)  
1417 lux @ 5 m (full ON - 32°)

## Color system

- LED source RGBW Full color
- CCT linear correction 2700°K - 8000°K
- Infinite chromatic possibilities

## Effects

- Linear dimmer 0 - 100 %
- Motorized zoom
- Electronic strobo, pulse, random
- Control with 3 circular sectors
- Front LED ring with programmable static and dynamic effects
- Virtual color wheel with 12 colors
- White presets with 9 macros
- Virtual linear color wheel 2700° - 8000°K

## Control and programming

- 3 DMX configurations available: 26/31/43 channels
- Protocol USITT DMX 512
- Master / Slave mode
- Sound mode with adjustable microphone sensitivity
- Auto mode with 9 internal programs selectable from display
- Reset function via DMX

## Structure and cabinet

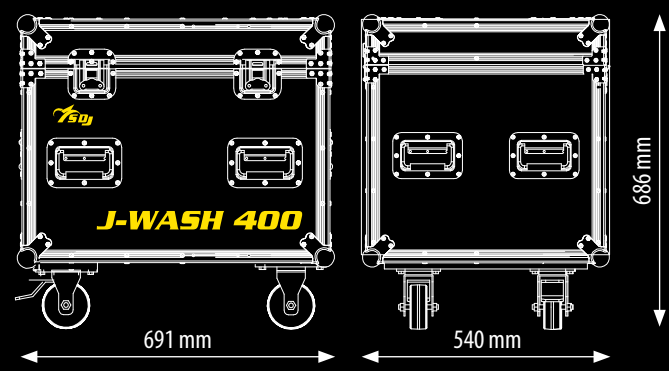
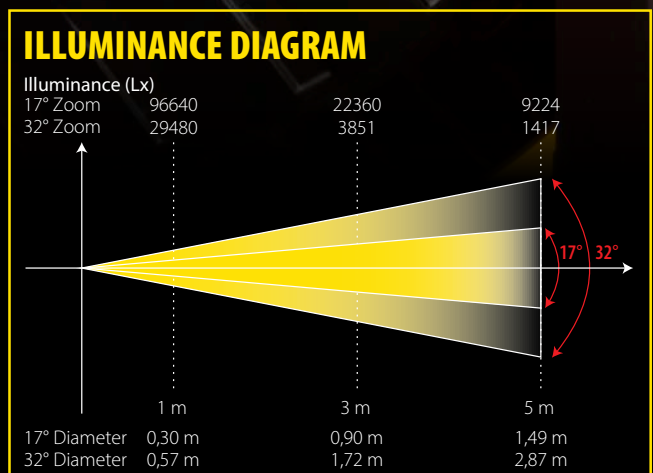
- Black metal housing and high resistance plastic material
- Graphic LCD color display
- Pan angle: 360°/540°/630°
- Tilt angle: 90°/180°/270°
- Mounting points: 2 pairs of 1/4 turn locks
- Automatic repositioning of Pan&Tilt after accidental movements
- XLR 3-poles DMX IN/OUT connectors
- USB port for optional wireless DMX receiver (order code: SG WECONUSB)
- IP Rating: IP 20
- Forced air cooling system with electronic control

## Power supply

- Input Voltage: AC~100 - 240 V 50 / 60 Hz
- Switching power supply unit
- Max power: 390 W @ 230VAC
- Power IN/OUT Powercon connectors
- Power supply cable 1 mt included

## Weight and dimensions

- Net weight: 11,5 kg
- Dimensions: 420 x 225 x 250 mm



# JBEAM 150

Order code: SG JBEAM150

## Light source

- 1x150W white led high brightness
- Color temperature 7500K
- LED lifespan: >50.000h
- LED Refresh frequency: >400Hz flicker-free

## Optic system

- Beam Angle: 4°
- Electronic focus
- Luminous flux: 25500 lux @5mt (4°)

## Color system

- Color wheel with 14 dichroic filters + white

## Effects

- Linear dimmer 0 - 100 %
- Electronic strobo, pulse, random
- Gobo wheel: 17 fixed gobos
- Gobo scroll with adjustable speed
- 8-facet rotating prism with adjustable speed
- Color rainbow effect
- Half color effect
- Frost filter

## Control and programming

- 2 DMX configurations available: 10/12 channels
- Protocol USITT DMX 512
- Master / Slave mode
- Sound mode with adjustable microphone sensitivity
- Auto mode with 9 internal programs selectable from display
- Reset function via DMX

## Structure and cabinet

- Black metal housing and high resistance plastic material
- Graphic LCD color display
- Pan angle: 360°/540°/630°
- Tilt angle: 90°/180°/270°
- Mounting points: 1 pair of 1/4 turn locks
- Automatic repositioning of Pan&Tilt after accidental movements
- XLR 3-poles DMX IN/OUT connectors
- USB port for optional wireless DMX receiver (order code: SG WECONUSB)
- IP Rating: IP 20
- Forced air cooling system with electronic control

## Power supply

- Input Voltage: AC~100-240V 50/60Hz
- Switching power supply unit
- Max power: 180W @ 230VAC
- Power IN/OUT Powercon connectors
- Power supply cable 1 mt included

## Weight and dimensions

- Net weight: 7,3 kg
- Dimensions: 270x361x177 mm



# JBEAM MINI

Order code: SG JBEAMMINI

## Light source

- 1x75W white led high brightness
- Color temperature 7500K
- LED lifespan: >50.000h
- LED Refresh frequency: >400Hz flicker-free

## Optic system

- Beam Angle: 3,5°
- Electronic focus
- Luminous flux: 16600 lux @5mt (3,5°)

## Color system

- Color wheel with 12 dichroic filters + white

## Effects

- Linear dimmer 0 - 100 %
- Electronic strobo, pulse, random
- Gobo wheel: 17 fixed gobos
- Gobo scroll with adjustable speed
- 8-facet rotating prism with adjustable speed
- Color rainbow effect in both directions
- Half color effect
- Frost filter

## Control and programming

- 2 DMX configurations available: 10/12 channels
- Protocol USITT DMX 512
- Master / Slave mode
- Sound mode with adjustable microphone sensitivity
- Auto mode with 9 internal programs selectable from display
- Reset function via DMX

## Structure and cabinet

- Black metal housing and high resistance plastic material
- Graphic LCD color display
- Pan angle: 360°/540°/630°
- Tilt angle: 90°/180°/270°
- Mounting points: 1 pair of 1/4 turn locks
- Automatic repositioning of Pan&Tilt after accidental movements
- XLR 3-poles DMX IN/OUT connectors
- USB port for optional wireless DMX receiver (order code: SG WECONUSB)
- IP Rating: IP 20
- Forced air cooling system with electronic control

## Power supply

- Input Voltage: AC~100-240V 50/60Hz
- Switching power supply unit
- Max power: 95W @ 230VAC
- Power IN/OUT Powercon connectors
- Power supply cable 1 mt included

## Weight and dimensions

- Net weight: 4,5 kg
- Dimensions: 243x304x151 mm



# JSPOT MINI

Order code: SG JSPOTMINI

## Light source

- 1x75W white led high brightness
- Color temperature 7500K
- LED lifespan: >50.000h
- LED Refresh frequency: >400Hz flicker-free

## Optic system

- Beam Angle: 14°
- Electronic focus
- Luminous flux: 2700 lux @5mt (14°)

## Color system

- Color wheel with 8 dichroic filters + white

## Effects

- Linear dimmer 0 - 100 %
- Electronic strobo, pulse, random
- Gobo wheel: 6 rotating gobos
- Gobo scroll with adjustable speed
- 3-facet rotating prism with adjustable speed
- Color rainbow effect in both directions
- Half color effect
- Frost filter

## Control and programming

- 2 DMX configurations available: 11/13 channels
- Protocol USITT DMX 512
- Master / Slave mode
- Sound mode with adjustable microphone sensitivity
- Auto mode with 9 internal programs selectable from display
- Reset function via DMX

## Structure and cabinet

- Black metal housing and high resistance plastic material
- Graphic LCD color display
- Pan angle: 360°/540°/630°
- Tilt angle: 90°/180°/270°
- Mounting points: 1 pair of 1/4 turn locks
- Automatic repositioning of Pan&Tilt after accidental movements
- XLR 3-poles DMX IN/OUT connectors
- USB port for optional wireless DMX receiver (order code: SG WECONUSB)
- IP Rating: IP 20
- Forced air cooling system with electronic control

## Power supply

- Input Voltage: AC~100-240V 50/60Hz
- Switching power supply unit
- Max power: 95W @ 230VAC
- Power IN/OUT Powercon connectors
- Power supply cable 1 mt included

## Weight and dimensions

- Net weight: 4,5 kg
- Dimensions: 243x304x151 mm



# JWASH MINI

Order code: SG JWASHMINI

## Light source

- 19x12W led RGBWA-UV Full Color
- LED lifespan: >50.000h
- LED Refresh frequency: >400Hz flicker-free

## Optic system

- Beam Angle: 26°
- Illuminance: 3100 lux @3m (full ON - 26°)

## Color system

- LED source RGBWA-UV Full color
- Virtual linear color wheel 2700° - 8000°K
- Infinite chromatic possibilities

## Effects

- Linear dimmer 0 - 100 %
- Electronic strobo, pulse, random
- Control with 3 circular sectors
- Virtual linear color wheel 2700° - 8000°K

## Control and programming

- 3 DMX configurations available: 13/15/17 channels
- Protocol USITT DMX 512
- Master / Slave mode
- Sound mode with adjustable microphone sensitivity
- Auto mode with 9 internal programs selectable from display
- Reset function via DMX

## Structure and cabinet

- Black metal housing and high resistance plastic material
- Graphic LCD color display
- Pan angle: 360°/540°/630°
- Tilt angle: 90°/180°/270°
- Mounting points: 1 pair of 1/4 turn locks
- Automatic repositioning of Pan&Tilt after accidental movements
- XLR 3-poles DMX IN/OUT connectors
- USB port for optional wireless DMX receiver (order code: SG WECONUSB)
- IP Rating: IP 20
- Forced air cooling system with electronic control

## Power supply

- Input Voltage: AC~100-240V 50/60Hz
- Switching power supply unit
- Max power: 228W @ 230VAC
- Power IN/OUT Powercon connectors
- Power supply cable 1 mt included

## Weight and dimensions

- Peso netto: 5 kg
- Dimensioni: 315X355X177 mm



# ENJOY YOUR LIGHTING



is a brand of **PROEL SPA**  
(Worldwide Headquarters)  
Via alla Ruenia, 37/43  
64027 Sant'Omero (TE) - ITALY  
Tel. +39 0861 81241  
Fax +39 0861 887862  
P.I. 00778590679  
N.Reg.AEE IT 08020000002762

[sdjlighting.com](http://sdjlighting.com)

SG JBROC1023E